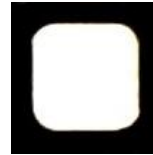


Silicon Carbide Power Schottky Diode

V_{RRM}	=	650 V
$I_F @ 25\text{ }^\circ\text{C}$	=	100 A
Q_C	=	158 nC

Features

- 650 V Schottky rectifier
- 175 °C maximum operating temperature
- Temperature independent switching behavior
- Superior surge current capability
- Positive temperature coefficient of V_F
- Extremely fast switching speeds
- Superior figure of merit Q_C/I_F



Die Size = 4.5 mm x 4.5 mm

Advantages

- Improved circuit efficiency (Lower overall cost)
- Low switching losses
- Ease of paralleling devices without thermal runaway
- Smaller heat sink requirements
- Low reverse recovery current
- Low device capacitance
- Low reverse leakage current at operating temperature

Applications

- Automotive Traction Inverters
- Power Factor Correction (PFC)
- Switched-Mode Power Supply (SMPS)
- Solar Inverters
- Wind Turbine Inverters
- Motor Drives
- Induction Heating
- Uninterruptible Power Supply (UPS)

Maximum Ratings at $T_j = 175\text{ }^\circ\text{C}$, unless otherwise specified

Parameter	Symbol	Conditions	Values			Unit
			min.	typ.	max.	
Repetitive peak reverse voltage	V_{RRM}			650		V
Continuous forward current	I_F	$T_C = 25\text{ }^\circ\text{C}$, $R_{thJC} = 0.24$		100		A
Continuous forward current	I_F	$T_C \leq 135\text{ }^\circ\text{C}$, $R_{thJC} = 0.24$		50		A
RMS forward current	$I_{F(RMS)}$	$T_C \leq 135\text{ }^\circ\text{C}$, $R_{thJC} = 0.24$		87		A
Surge non-repetitive forward current, Half Sine Wave	$I_{F,SM}$	$T_C = 25\text{ }^\circ\text{C}$, $t_p = 10\text{ ms}$		350		A
		$T_C = 135\text{ }^\circ\text{C}$, $t_p = 10\text{ ms}$		313		A
Non-repetitive peak forward current	$I_{F,max}$	$T_C = 25\text{ }^\circ\text{C}$, $t_p = 10\text{ }\mu\text{s}$		1625		A
I^2t value	$\int i^2 dt$	$T_C = 25\text{ }^\circ\text{C}$, $t_p = 10\text{ ms}$		450		A^2s
		$T_C = 135\text{ }^\circ\text{C}$, $t_p = 10\text{ ms}$		300		A^2s
Power dissipation	P_{tot}	$T_C = 25\text{ }^\circ\text{C}$, $R_{thJC} = 0.24$		620		W
Operating and storage temperature	T_j, T_{stg}			-55 to 175		$^\circ\text{C}$

Electrical Characteristics at $T_j = 175\text{ }^\circ\text{C}$, unless otherwise specified

Parameter	Symbol	Conditions	Values			Unit
			min.	typ.	max.	
Diode forward voltage	V_F	$I_F = 50\text{ A}$, $T_j = 25\text{ }^\circ\text{C}$		1.5	1.8	V
		$I_F = 50\text{ A}$, $T_j = 175\text{ }^\circ\text{C}$		2.4	3.0	
Reverse current	I_R	$V_R = 650\text{ V}$, $T_j = 25\text{ }^\circ\text{C}$		1	100	μA
		$V_R = 650\text{ V}$, $T_j = 175\text{ }^\circ\text{C}$		10	500	
Total capacitive charge	Q_C	$I_F \leq I_{F,MAX}$ $di_F/dt = 200\text{ A}/\mu\text{s}$ $T_j = 175\text{ }^\circ\text{C}$	$V_R = 400\text{ V}$	158		nC
Switching time	t_s		$V_R = 400\text{ V}$	50		ns
Total capacitance	C	$V_R = 1\text{ V}$, $f = 1\text{ MHz}$, $T_j = 25\text{ }^\circ\text{C}$		2940		pF
		$V_R = 400\text{ V}$, $f = 1\text{ MHz}$, $T_j = 25\text{ }^\circ\text{C}$		203		
		$V_R = 650\text{ V}$, $f = 1\text{ MHz}$, $T_j = 25\text{ }^\circ\text{C}$		155		

Figures:

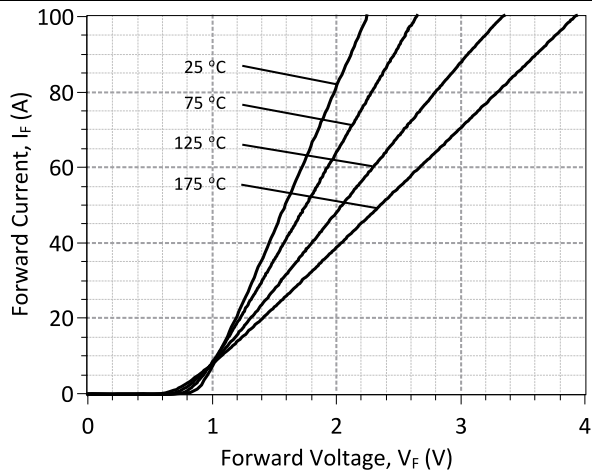


Figure 1: Typical Forward Characteristics

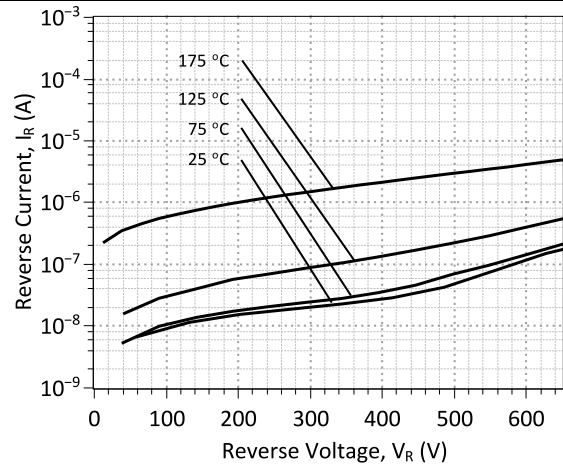


Figure 2: Typical Reverse Characteristics

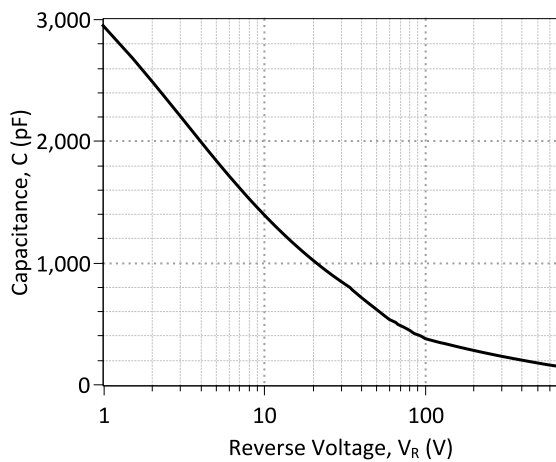


Figure 3: Typical Junction Capacitance vs Reverse Voltage Characteristics

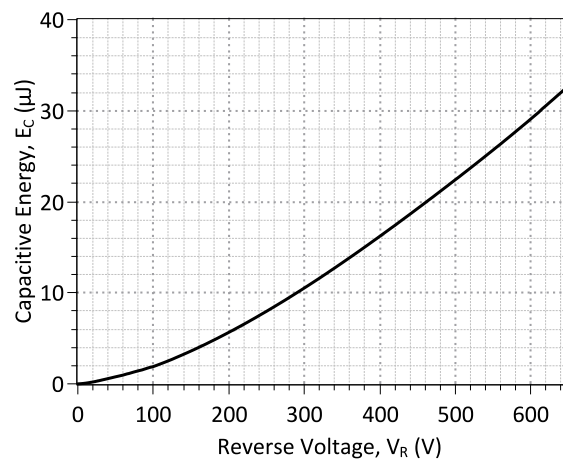
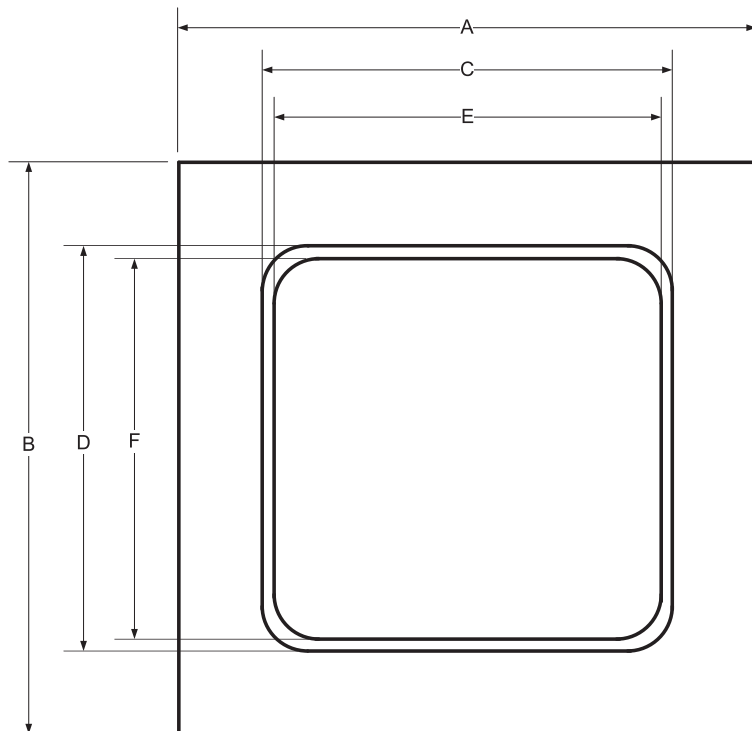


Figure 4: Typical Capacitive Energy vs Reverse Voltage Characteristics

Mechanical Parameters

Die Dimensions	4.5 x 4.5	mm ²
Anode Pad Size	4.24 x 4.24	
Die Area total / active	20.25/17.64	
Die Thickness	360	μm
Wafer Size	100	mm
Flat Position	0	deg
Die Frontside Passivation	Polyimide	
Anode Pad Metallization	4000 nm Al	
Backside Cathode Metallization	400 nm Ni + 200 nm Au	
Die Attach	Electrically conductive glue or solder	
Wire Bond	Al ≤ 380 μm	
Reject ink dot size	Φ ≥ 0.3 mm	
Recommended storage environment	Store in original container, in dry nitrogen, < 6 months at an ambient temperature of 23 °C	

Chip Dimensions:



DIE	A [mm]	4.5
	B [mm]	4.5
METAL	C [mm]	4.24
	D [mm]	4.24
WIRE BONDABLE	E [mm]	4.2
	F [mm]	4.2

Revision History

Date	Revision	Comments	Supersedes
2015/02/12	3	Inserted Mechanical Parameters	
2014/09/12	2	Updated Electrical Characteristics	
2013/11/12	1	Updated Electrical Characteristics	
2013/09/18	0	Initial Release	

Published by

GeneSiC Semiconductor, Inc.
43670 Trade Center Place Suite 155
Dulles, VA 20166

GeneSiC Semiconductor, Inc. reserves right to make changes to the product specifications and data in this document without notice.

GeneSiC disclaims all and any warranty and liability arising out of use or application of any product. No license, express or implied to any intellectual property rights is granted by this document.

Unless otherwise expressly indicated, GeneSiC products are not designed, tested or authorized for use in life-saving, medical, aircraft navigation, communication, air traffic control and weapons systems, nor in applications where their failure may result in death, personal injury and/or property damage.

SPICE Model Parameters

This is a secure document. Please copy this code from the SPICE model PDF file on our website (http://www.genesicsemi.com/images/hit_sic/baredie/schottky/GB50SLT06-CAL_SPICE.pdf) into LTSPICE (version 4) software for simulation of the GA50SLT06-CAL.

```
*      MODEL OF GeneSiC Semiconductor Inc.
*
*      $Revision:  1.0          $
*      $Date:    20-SEP-2013    $
*
*      GeneSiC Semiconductor Inc.
*      43670 Trade Center Place Ste. 155
*      Dulles, VA 20166
*
*      COPYRIGHT (C) 2013 GeneSiC Semiconductor Inc.
*      ALL RIGHTS RESERVED
*
*      These models are provided "AS IS, WHERE IS, AND WITH NO WARRANTY OF ANY
*      KIND EITHER EXPRESSED OR IMPLIED, INCLUDING BUT NOT LIMITED TO ANY IMPLIED
*      WARRANTIES OF MERCHANTABILITY AND FITNESS FOR A PARTICULAR PURPOSE."
*      Models accurate up to 2 times rated drain current.
*
*      Start of GB50SLT06-CAL SPICE Model
*
.SUBCKT GB50SLT06 ANODE KATHODE
D1 ANODE KATHODE GB50SLT06_SCHOTTKY
D2 ANODE KATHODE GB50SLT06_SURGE
.MODEL GB50SLT06_SCHOTTKY D
+ IS      1.99E-16      RS      0.015652965
+ N       1            IKF     1000
+ EG      1.2          XTI     3
+ TRS1    0.0042       TRS2    1.3E-05
+ CJO     3.86E-09     VJ      1.362328465
+ M       0.48198551   FC      0.5
+ TT      1.00E-10     BV      650
+ IBV     1.00E-03     VPK     650
+ IAVE    50          TYPE    SiC_Schottky
+ MFG     GeneSiC_Semi
.MODEL GB50SLT06_SURGE D
+ IS      1.54E-19     RS      0.1
+ TRS1    -0.004       N       3.941
+ EG      3.23         IKF     19
+ XTI     0            FC      0.5
+ TT      0            BV      650
+ IBV     1.00E-03     VPK     650
+ IAVE    50          TYPE    SiC_PiN
.ENDS
*
*      End of GB50SLT06-CAL SPICE Model
```